



# TEL-TRU MANUFACTURING COMPANY

## DIGI-TEL SANITARY THERMOMETERS

*This heavy duty thermometer meets 3A Standard Number 74-02, Sanitary Standards for Sensors and Sensor Fittings and Connections Used on Milk and Milk Products Equipment. Other applications include food and beverage processing and the pharmaceutical industry.*

*No thermowell is required because a Tri-Clamp® sanitary fitting is integral to the thermometer, reducing installation and instrument costs.*



► **MODEL CODES** (all models include integrated stem and sanitary fitting):

<b>Back</b>	SD1B	3" diameter head
<b>Connected</b>	SD5B	5" diameter head
<b>Bottom</b>	SD1C	3" diameter head
<b>Connected</b>	SD5C	5" diameter head
<b>Adjustable</b>	SD1A	3" diameter head
<b>Angle</b>	SD5A	5" diameter head

► **SPECIFICATIONS:**

Stem Lengths: 1<sup>5</sup>/<sub>8</sub>, 2<sup>1</sup>/<sub>2</sub>, 4<sup>1</sup>/<sub>2</sub>, 7<sup>1</sup>/<sub>2</sub>, 10<sup>1</sup>/<sub>2</sub>, 13<sup>1</sup>/<sub>2</sub>, 16<sup>1</sup>/<sub>2</sub>, and 22<sup>1</sup>/<sub>2</sub>".

Stem Diameter: .250".

Connection: Tri-Clamp fitting sizes 3/4", 1 1/2", 2, 3, and 4".

Material: 316L SS wetted parts, 304SS non-contact parts.

Hermetic Seal: Per ASME B40.3 dustproof and leakproof.

Lens: Glass. Polycarbonate optional.

Power Source: Lithium battery

Service Life: 5 years

Sensor: Pt1000

Resolution: 0.1°

Reading Cycle: 3 second intervals

Pressure Tested: Up to 250 psi.

Surface Finish: All wetted parts, max. 32 micro-inches (.80 microns) on stem, weld radius, and underside of flange, per 3A Standard 74-02.

Ambient Operating Temperature:  
-4 to 140°F (-20 to 60°C)

	3" Modules		5" Modules
Display Type	<b>Analog/Digital Readout:</b> Analog "gradations" similar to dial thermometers Digital readout for exact reading		<b>Digital Only Readout</b>
Size	.43" (11mm)		1.06" (27mm)
Factory Calibrated Temperature Ranges	<b>Accuracy</b> ± 1° or 1% FS	<b>Accuracy</b> ± 1° or .50% FS	<b>Accuracy</b> ± 1° or .25% FS
	25/125°F -60/40°C -40/80°C 0/120°C	-80/120°F -40/160°F 0/250°F 0/400°F 50/550°F 150/750°F 0/160°C 0/250°C 0/300°C	-75/750°F -60/400°C

Tri-Clamp is a registered trademark of Tri-Clover, Inc.

\* Used on both 1/2" and 3/4" lines.

\*\* Used on both 1 and 1 1/2" lines.



www.teltru.com

*World-Class Thermometers* Since 1916

# DIGI-TEL SANITARY THERMOMETERS

## ▶ HOW TO ORDER

3" Case, Adjustable Angle, 50/550°F Range, Glass Window, .250" 316SS stem, 4.5" stem length, 1½" Tri-Clamp sanitary fitting

A	B	C	D	E	F	G
S	D	1	A	0	6	1
0	0	0	P	2	2	C
H	30	-	1	0		

Code	Description																																																
<b>A</b>	<b>Model</b> SD1 3" Case SD5 5" Case																																																
<b>B</b>	<b>Mounting Style</b> A Adjustable Angle B Back Connected C Bottom Connected																																																
<b>C</b>	<b>Range</b> <table border="1"> <thead> <tr> <th colspan="2">Fahrenheit</th><th colspan="2">Celsius</th></tr> <tr> <th>Code</th><th>Temp.</th><th>Code</th><th>Temp.</th></tr> </thead> <tbody> <tr> <td colspan="4"><b>SD1 - 3" Cases, Analog/Digital</b></td></tr> <tr> <td>01</td><td>-80/120°F</td><td>50</td><td>-60/40°C</td></tr> <tr> <td>02</td><td>-40/160°F</td><td>51</td><td>-40/80°C</td></tr> <tr> <td>03</td><td>25/125°F</td><td>52</td><td>0/120°C</td></tr> <tr> <td>04</td><td>0/250°F</td><td>53</td><td>0/160°C</td></tr> <tr> <td>05</td><td>0/400°F</td><td>54</td><td>0/250°C</td></tr> <tr> <td>06</td><td>50/550°F</td><td>55</td><td>0/300°C</td></tr> <tr> <td>07</td><td>150/750°F</td><td></td><td></td></tr> <tr> <td colspan="4"><b>SD5 - 5" Cases, Digital only</b></td></tr> <tr> <td>09</td><td>-75/750°F</td><td>58</td><td>-60/400°C</td></tr> </tbody> </table>	Fahrenheit		Celsius		Code	Temp.	Code	Temp.	<b>SD1 - 3" Cases, Analog/Digital</b>				01	-80/120°F	50	-60/40°C	02	-40/160°F	51	-40/80°C	03	25/125°F	52	0/120°C	04	0/250°F	53	0/160°C	05	0/400°F	54	0/250°C	06	50/550°F	55	0/300°C	07	150/750°F			<b>SD5 - 5" Cases, Digital only</b>				09	-75/750°F	58	-60/400°C
Fahrenheit		Celsius																																															
Code	Temp.	Code	Temp.																																														
<b>SD1 - 3" Cases, Analog/Digital</b>																																																	
01	-80/120°F	50	-60/40°C																																														
02	-40/160°F	51	-40/80°C																																														
03	25/125°F	52	0/120°C																																														
04	0/250°F	53	0/160°C																																														
05	0/400°F	54	0/250°C																																														
06	50/550°F	55	0/300°C																																														
07	150/750°F																																																
<b>SD5 - 5" Cases, Digital only</b>																																																	
09	-75/750°F	58	-60/400°C																																														
<b>D</b>	<b>Display Options</b> 100 None 101 Polycarbonate Window																																																
<b>E</b>	<b>Probe</b> P22 .250" 316SS stem																																																
<b>F</b>	<b>Stem Length ("U")</b> IC 1.625" 02 2.5" CH 4.5" AT 7.5" DC 10.5" EC 13.5" FJ 16.5" JQ 22.5" <i>Other stem lengths available upon request.</i>																																																
<b>G</b>	<b>Sanitary Fitting Size</b> 05 ¾" Tri-Clamp (316SS) * 10 1½" Tri-Clamp (316SS) ** 20 2" Tri-Clamp (316SS) 25 2½" Tri-Clamp (316SS) 30 3" Tri-Clamp (316SS) 40 4" Tri-Clamp (316SS)  * Used on both ½ and ¾" lines. ** Used on both 1 and 1½" lines.																																																

## ▶ STANDARD MODELS and SPECIFICATIONS:

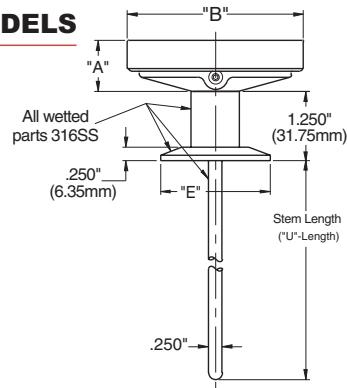
Model	"A"	"B"	"C"
SD1B	.890" (22.61mm)	3.187" (80.95mm)	—
SD5B	1.328" (33.73mm)	5.040" (128.02mm)	—
SD1C	1.187" (30.15mm)	3.187" (80.95mm)	1.875" (47.63mm)
SD5C	1.625" (41.28mm)	5.040" (128.02mm)	2.625" (66.68mm)
SD1A	2.430" (61.72mm)	3.187" (80.95mm)	—
SD5A	2.660" (67.56mm)	5.040" (128.02mm)	—

Tri-Clamp Fitting	"E"	Stem Length ("U" Length)
* ¾"	.984" (25.00mm)	1.625" (41.28mm)
** 1½"	1.984" (50.40mm)	2.500" (63.50mm)
2"	2.516" (63.90mm)	4.500" (114.30mm)
2½"	3.047" (77.40mm)	7.500" (190.50mm)
3"	3.579" (90.90mm)	10.500" (266.70mm)
4"	4.682" (118.90mm)	13.500" (342.90mm)
		16.500" (419.10mm)
		22.500" (571.50mm)

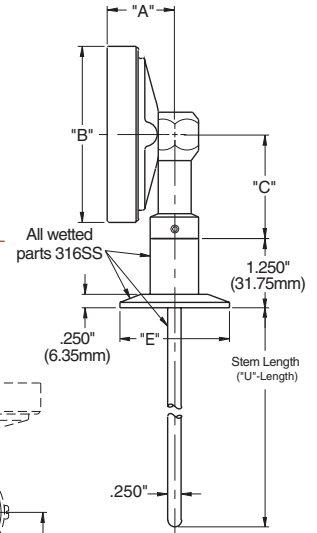
\* Used on both ½ and ¾" lines.

\*\* Used on both 1 and 1½" lines.

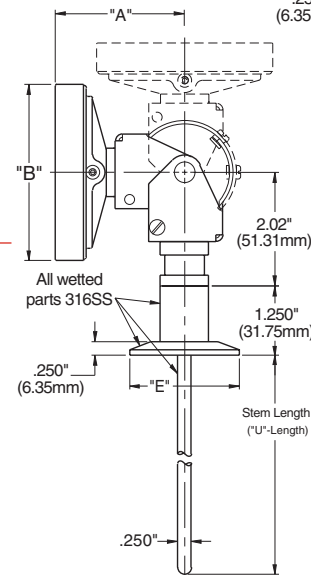
## ▶ SD\_B MODELS



## ▶ SD\_C MODELS



## ▶ SD\_A MODELS



**Tel-Tru Manufacturing Company**

408 St. Paul St., Rochester, New York 14605 USA

Phone: 585.232.1440 • 800.232.5335 • Fax: 585.232.3857 • E-mail: info@teltru.com • Web: www.teltru.com

DTSSHT805